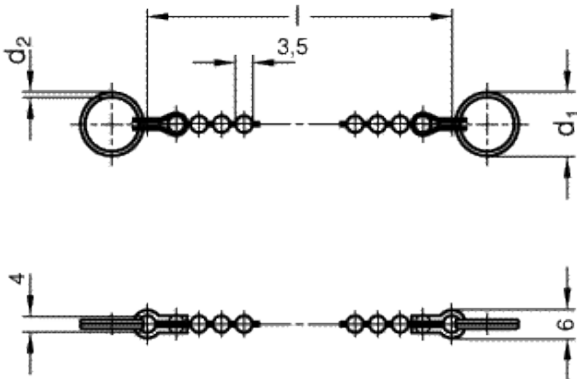
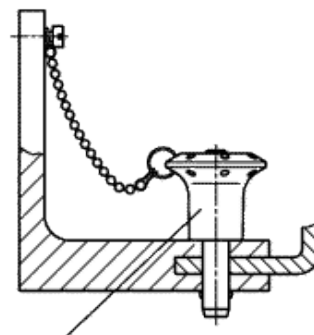


GN 111

Ball chains



Example of application



Pins GN 114.2 / 114.3
Ball lock pins GN 113.5 / 113.6



technical informations

Ball chain

Nickel coated brass.

Ring

AISI 302 stainless steel.

Applications

GN 111 ball chains are mainly used in connection with ball lock pins and pins with axial lock.

Instructions of use

1) Suitable for ball lock pins and pins with axial lock
GN 113.1, GN 124
Ø 6, Ø 8

GN 113.3, GN 113.4, GN 113.5, GN 113.6, GN 113.7, GN 113.8, GN 114.2, GN 114.3
 Ø all

2) Suitable for ball lock pins and pins with axial lock GN 124
 Ø 10, Ø 12

Standard Elements	Main dimensions			Load in N \approx		Weight g
	Description	$l_{\pm 3}$	d_1	d_2	with ring	
GN 111-200-14	200	14 ¹⁾	1	50	180	100
GN 111-200-18	200	18 ²⁾	1.3	90	180	100
GN 111-200-24	200	24	1.5	100	180	100
GN 111-200-30	200	30	1.8	120	180	100
GN 111-320-14	320	14 ¹⁾	1	50	180	100
GN 111-320-18	320	18 ²⁾	1.3	90	180	100
GN 111-320-24	320	24	1.5	100	180	150
GN 111-320-30	320	30	1.8	120	180	150
GN 111-500-14	500	14 ¹⁾	1	50	180	150
GN 111-500-18	500	18 ²⁾	1.3	90	180	150
GN 111-500-24	500	24	1.5	100	180	200
GN 111-500-30	500	30	1.8	120	180	200
GN 111-1000-14	1000	14 ¹⁾	1	50	180	300
GN 111-1000-18	1000	18 ²⁾	1.3	90	180	300
GN 111-1000-24	1000	24	1.5	100	180	300
GN 111-1000-30	1000	30	1.8	120	180	300



STANDARD MACHINE ELEMENTS WORLDWIDE